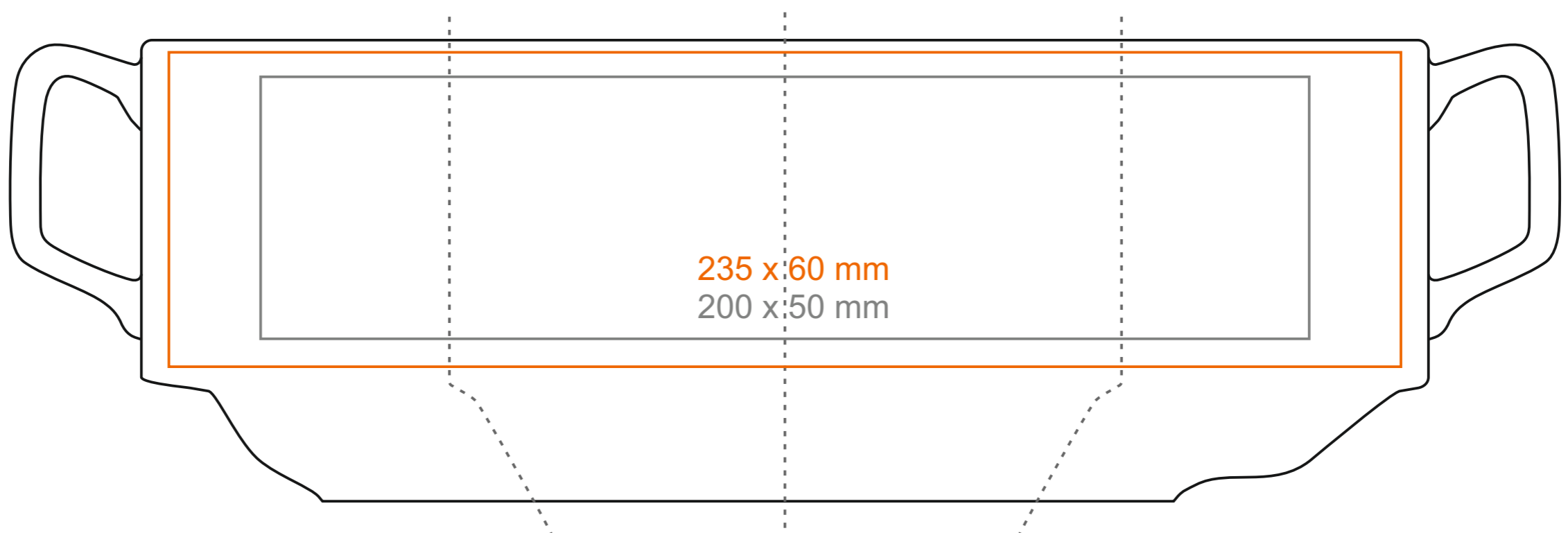
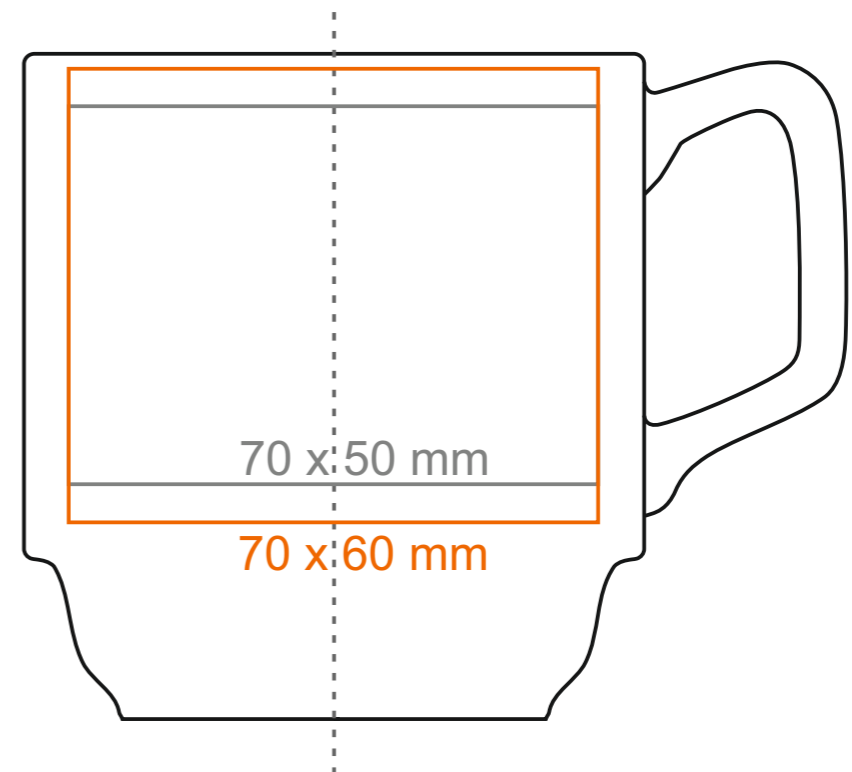
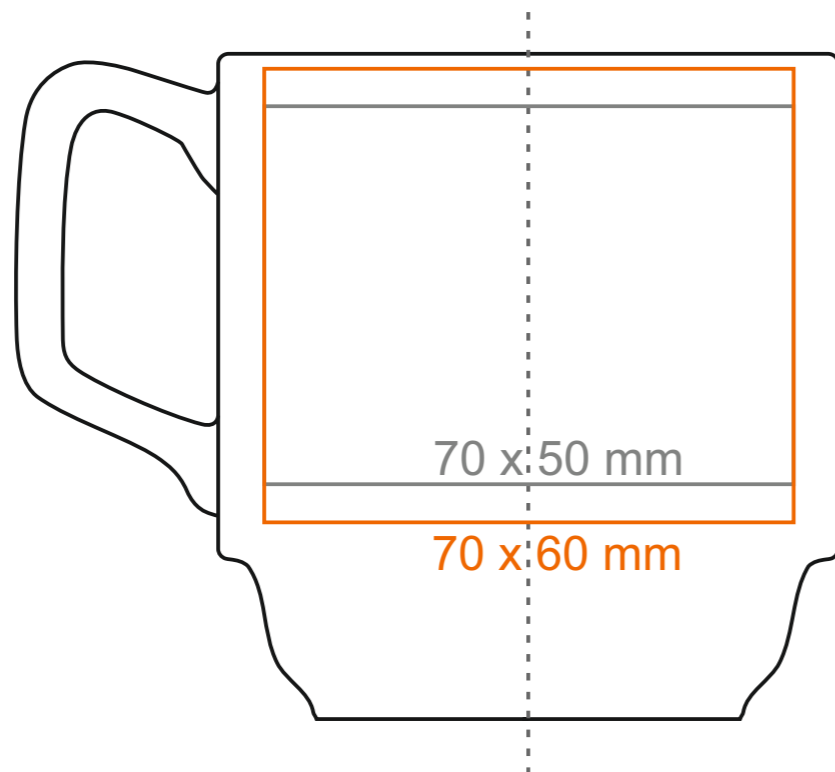


M_106 Torino

280 ml / h: 88 mm / Ø 82 mm



- | | |
|-------------------------------|--------------|
| Imprint on the handle | - 30 x 8 mm |
| Imprint on the inside | - 40 x 15 mm |
| Imprint on the bottom inside | - Ø 35 mm |
| Imprint on the bottom outside | - Ø 35 mm |

*In the case of projects for transfer print running outside of the standard print area, please contact our sales department.

[How to prepare print material](#)

meaning

- Transfer Print
- Sensitive Touch
- Direct Print